



DIXIE PRECAST, INC.

2950 ANGELETTE DRIVE, AUSTELL, GEORGIA 30106

(770) 944-1930 Fax (770) 944-9136

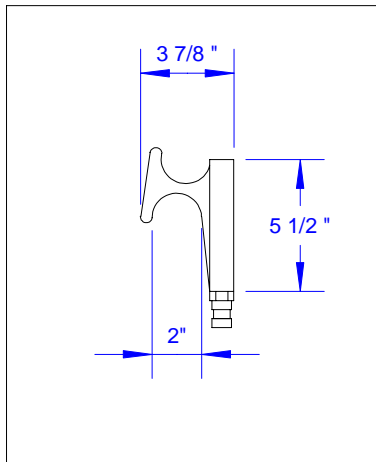
www.dixieprecast.com

DIXIE PRECAST

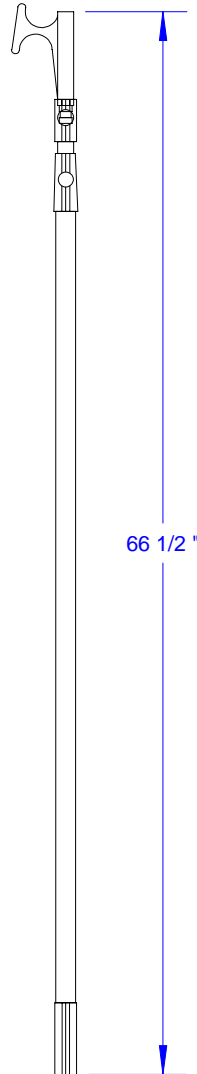
THIS PRINT REPRESENTS A PROPRIETARY PRODUCT AND IS OWNED BY DIXIE PRECAST INC. FOR THE USE OF ITS CUSTOMERS. IS NOT TO BE CONVEYED, NOR COPIED BY ANY OTHER PARTY WITHOUT THE EXPRESS WRITTEN APPROVAL OF THE OWNER.

THIS PRODUCT IS COVERED BY ONE OR MORE PATENTS

PATENTED



Hook Detail



Alignment Tool



Alignment Tool

Notes:

1. Approximate weight: 3 lbs.
2. Cast aluminum head for push/pull for foundation bolt alignment.
3. Fiberglass handle with metal extension ranges from 5' to 9' in length.

DPT-1 Bolt Alignment Tool

Details